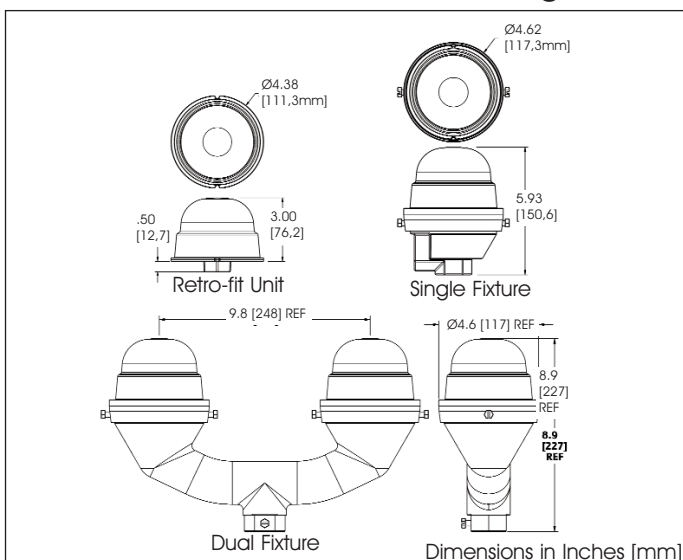




US Patent #7,604,384

Vigilant™ Series LED Based RTO L-810 Red LED Obstruction Lights



Certifications & Ratings:

- ▷ FAA AC NO: 150/5345-43F
- ▷ FAA Engineering Brief No. 67
- ▷ IP65 / IP66 / NEMA 4X

Qualified By:

- ▷ Intertek ETL
- ▷ Lighting Sciences Canada
- ▷ DGAC Mexico

Compliant to:

- ▷ ICAO Annex 14, 5th Edition, July 2009
- ▷ ICAO Aerodromes Design Manual, Chapter 18
- ▷ Canadian Aviation Regulation CAR 621.19 (Transport Canada)
- ▷ Nachrichten für Luffahrer Teil I Langen, 6. Januar 2005
- ▷ German Air Traffic Control Notices For Pilots Part I 6, January 2005

Features & Benefits:

- ▷ Available in 120 - 277 VAC and 12 - 48 VDC
- ▷ Simple retro-fit using existing wiring and housing
- ▷ Weather/corrosion resistant lamp assembly and housing
- ▷ Self-contained wiring compartment eliminates additional boxes
- ▷ Threaded 1" and 3/4" bottom hub for mounting
- ▷ Can be operated steady or flashed (controller not supplied)
- ▷ Uses 95% less energy than incandescent
- ▷ Complete performance 5 year warranty
- ▷ Resistant to shock and vibration
- ▷ UV, scratch & chemical resistant lens coating

Application:

The Dialight Vigilant™ RTO Series obstruction light utilizes a unique optical, electrical and mechanical design. The RTO series is the most universal, compact and efficient obstruction light in the world. ETL Certified to the FAA requirements, the RTO series fixture is also ICAO and Transport Canada compliant. Also available as a single fixture for direct replacement of incandescent lamp/lens technology.

Unit Weight:	1.25lbs (0.56 kg) (Retro Unit) 2.00lbs (0.91 kg) (Single Unit) 4.60lbs (2.09 kg) (Dual Unit)
Supply Voltage Ranges:	Nominal +/- 10%
Nominal Input Power:	6.5 (FAA - 120-240 VAC Units) 8.5 (TC - 120-240 VAC Units) 8.0 (FAA - 277VAC Units) 3.5 (FAA - 12-48 VDC Units)
Wattage:	5.5W (FAA - 120-240 VAC Units) 5.0W (FAA - 12-48 VDC Units)
Power Factor:	>0.9 (All AC units)
Operating Temp:	-40°F to +131°F (-40°C to +55°C)

Order code:

Part Number	Configuration	Compliance	Operating Voltage
RTO-1R07-001	Single Fixture	FAA	120-240 VAC
RTO-6R07-001	Single Fixture	TC	120-240 VAC
RTO-1R06-001	Single Fixture	FAA	277 VAC
RTO-1R08-001	Single Fixture	FAA	12-48 VDC
RTO-1R07-001-EU	Single Fixture	ICAO	120-240 VAC
RTO-1R07-002	Dual Fixture	FAA	120-240 VAC
RTO-6R07-002	Dual Fixture	TC	120-240 VAC
RTO-1R06-002	Dual Fixture	FAA	277 VAC
RTO-1R08-002	Dual Fixture	FAA	12-48 VDC
RTO-1R07-002-EU	Dual Fixture	ICAO	120-240 VAC
RTO-1R07-004	Single Retro-Fit Fixture	FAA	120-240 VAC
RTO-6R07-004	Single Retro-Fit Fixture	TC	120-240 VAC
RTO-1R06-004	Single Retro-Fit Fixture	FAA	277 VAC
RTO-1R08-004	Single Retro-Fit Fixture	FAA	12-48 VDC
RTO-1R07-004-EU	Single Retro-Fit Fixture	ICAO	120-240 VAC

Dialight also offers these obstruction lights



Vigilant™ Series L-810
Infrared (IR) LED Obstruction Lights
for use with aviator night vision goggles

DuroSite™ Series
LED Visual Signal Lights

Dialight reserves the right to make changes at any time in order to supply the best product possible. The most current version of this document will always be available at: http://www.dialight.com/Assets/Brochures_And_Catalogs/Signaling/MDTFRTO810X001.pdf

MDTFRTO810X001_G