

CL-FM

FM Log-Periodic Antenna

88—108 MHz

The KUSA CL-FM is a ruggedly built, log-periodic antenna, designed for professional FM transmit and receive applications.

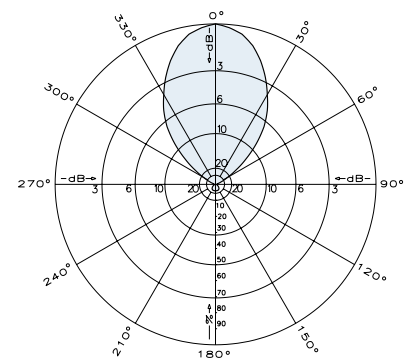
Like all KUSA antennas, the CL-FM is made of the finest materials using state of the art electrical and mechanical designs resulting in superior performance and long service life.

The CL-FM may be used stand alone or in stacked arrays for higher gain, increased side-lobe suppression, or custom azimuth patterns.

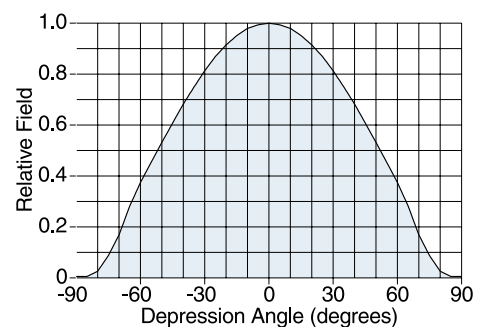


Specifications	
Frequency range	88—108 MHz (broadband)
Gain	7 dBd
Power gain	5.01
Impedance	50 or 75 ohms
VSWR	<1.5:1
Polarization	Horizontal or vertical
Front-to-back ratio	>25 dB
Maximum input power	250 watts, type "N" 75 ohm connector 500 watts, type "N" 50 ohm connector
H-plane beamwidth	78 degrees (half-power)
E-plane beamwidth	52 degrees (half-power)
Connector	N female (50 or 75 ohms)
Weight	45 lb (20.4 kg)
Dimensions	104 x 67.9 inches (2642 x 1725 mm)
Wind load at 100 mph (161 kph)	
Front	138 lbf (614 N)
Wind survival rating*	120 mph (193 kph)
Shipping dimensions	116 x 14.5 x 6 inches (2946 x 369 x 153 mm)
Shipping weight	56.0 lb (25.4 kg)
Mounting	For masts of 2.375 inch (60 mm) OD.
CL-FM/HCM	Horizontal polarization center-mount
CL-FM/HRM	Horizontal polarization rear-mount
CL-FM/VRM	Vertical polarization rear-mount

*Mechanical design is based on environmental conditions as stipulated in TIA-222-G-2 (December 2009) and/or ETS 300 019-1-4 which include the static mechanical load imposed on an antenna by wind at maximum velocity. See the Engineering Section of the catalog for further details.



Azimuth pattern (E-plane)



Elevation pattern (H-plane)

10492g subject to alteration



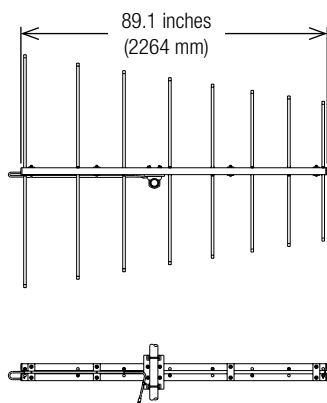
All specifications are subject to change without notice.
The latest specifications are available at www.kathreinusa.com

CL-FM

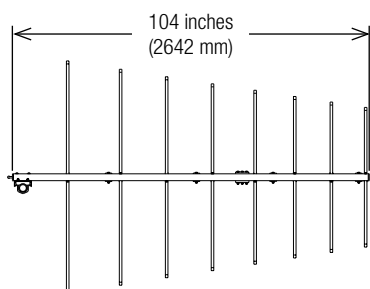
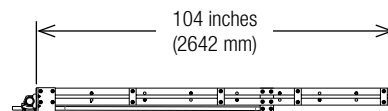
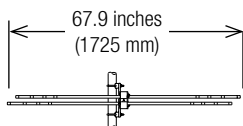
FM Log-Periodic Antenna

88–108 MHz

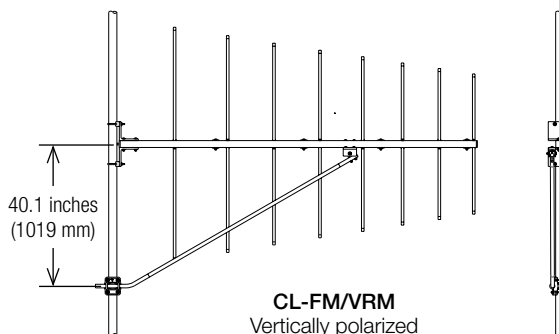
KATHREIN



CL-FM/HCM
Horizontally polarized

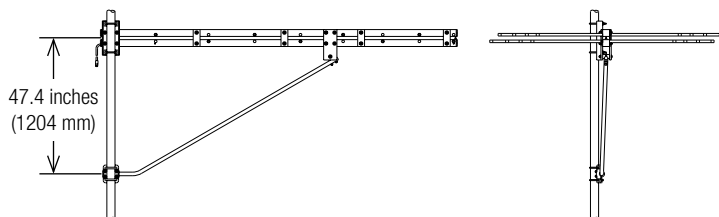


CL-FM/HRM
Horizontally polarized



CL-FM/VRM
Vertically polarized

Vertically polarized antennas require lateral stabilization, (not supplied) to prevent the antenna from turning on the mounting pipe.



Order information

Model	Description
CL-FM/HCM/50N	Antenna with 50Ω N connector Horizontal polarization center-mount
CL-FM/HCM/75N	Antenna with 75Ω N connector Horizontal polarization center-mount
CL-FM/HRM/50N	Antenna with 50Ω N connector Horizontal polarization rear-mount
CL-FM/HRM/75N	Antenna with 75Ω N connector Horizontal polarization rear-mount
CL-FM/VRM/50N	Antenna with 50Ω N connector Vertical polarization rear-mount

10492g subject to alteration