

**CL-1469**  
UHF-TV LOG-PERIODIC ANTENNA  
8 dBd gain  
470–862 MHz (Channels 14–69\*)

The Kathrein Scala Division CL-1469 is a ruggedly built, linearly polarized log-periodic antenna designed for professional UHF-TV transmit and receive applications.

Like all Kathrein Scala Division antennas, the CL-1469 is made of the finest materials using state of the art electrical and mechanical designs resulting in superior performance and long service life. The rugged fiberglass radome protects the antenna from icing and assures stable pattern and gain performance under adverse environmental conditions.

The CL-1469 may be used stand alone or in arrays for higher gain, increased side-lobe suppression, or custom azimuth patterns.

\*The CL-1469 covers all 6, 7, and 8 MHz UHF-TV channels worldwide (bands IV/V).

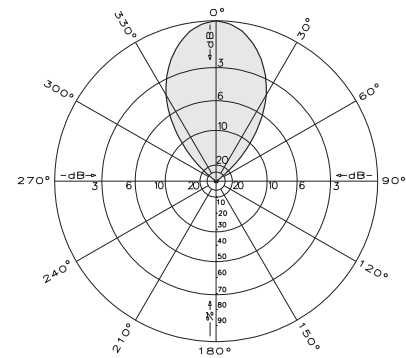


(Shown horizontally polarized)

**Specifications:**

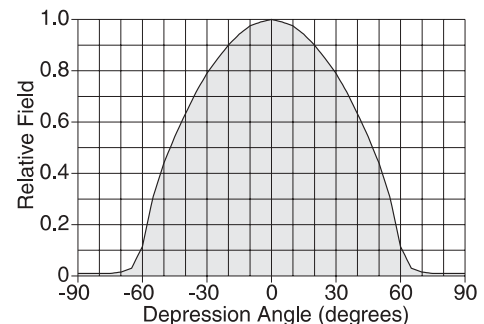
Frequency range	470–862 MHz (broadband)*
Gain	8 dBd
Impedance	50 or 75 ohms
VSWR	< 1.5:1
Polarization	Horizontal or vertical
Front-to-back ratio	>35 dB
Maximum input power	100 watts, type "N" 75 ohm connector 250 watts, type "N" 50 ohm connector
Azimuth pattern	52 degrees (half-power)
Elevation pattern	72 degrees (half-power)
Connector	N female (50 or 75 ohms)
Weight	22 lb (10 kg)
Dimensions	29 x 17 x 12 inches (737 x 432 x 305 mm)
Equivalent flat plate area	2.78 ft <sup>2</sup> (.258 m <sup>2</sup> )
Wind survival rating*	100 mph (160 kph)
Shipping dimensions	31 x 20 x 14.5 inches (787 x 508 x 368 mm)
Shipping weight	28.0 lb (12.7 kg)
Mounting	Mounting kits available for masts of 2.375 to 4.5 inch (60 to 114 mm) OD.

See reverse for order information.



**Azimuth pattern (E-plane)**

\* Mechanical design is based on environmental conditions as stipulated in EIA-222-F (June 1996) and/or ETS 300 019-1-4 which include the static mechanical load imposed on an antenna by wind at maximum velocity. See the Engineering Section of the catalog for further details.

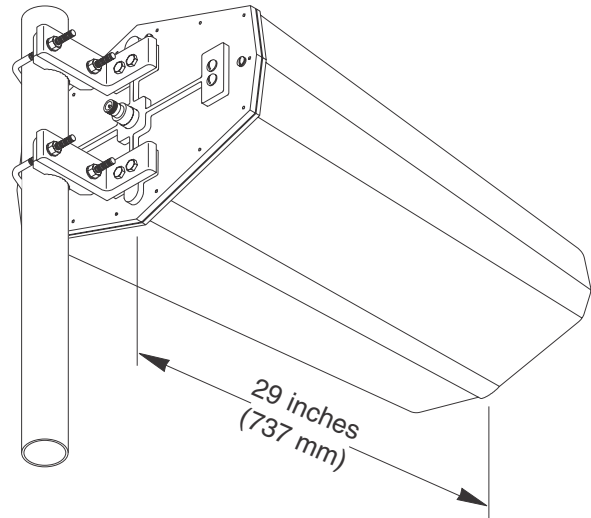
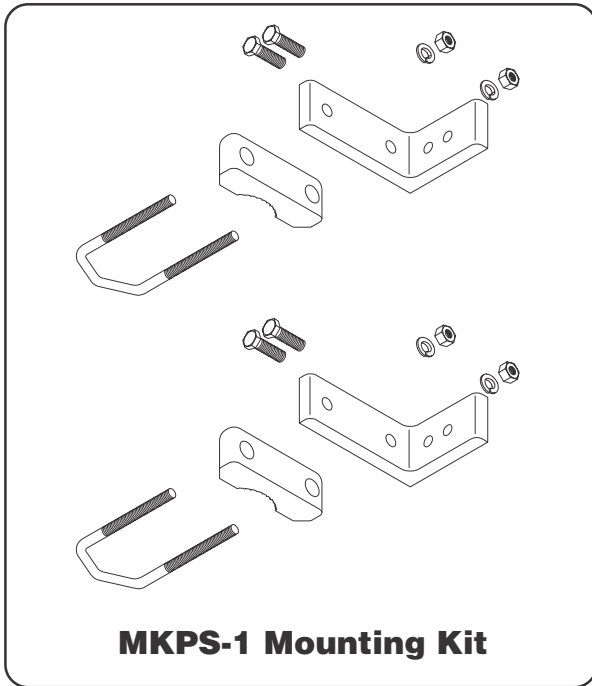


**Elevation pattern (H-plane)**



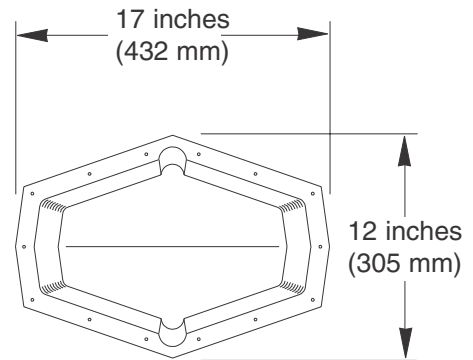
10276-B

**CL-1469**  
UHF-TV LOG-PERIODIC ANTENNA  
8 dBd gain  
470–862 MHz (Channels 14–69\*)



**Mounting Options:**

Model	Description
MKPS-1 (shown)	Mounting Kit for 2.375 inch (60 mm) OD mast.
MKPS-2	Mounting Kit for 2.875 inch (73 mm) OD mast.
MKPS-3	Mounting Kit for 3.5 inch (89 mm) OD mast.
MKPS-4	Mounting Kit for 4 inch (102 mm) OD mast.
MKPS-5	Mounting Kit for 4.5 inch (114 mm) OD mast.



(Shown horizontally polarized)

**Order Information:**

Model	Description
CL-1469/50	Antenna with 50 $\Omega$ N connector
CL-1469/75	Antenna with 75 $\Omega$ N connector
<i>Note:</i>	<i>Requires mounting kit at additional cost (see listing above).</i>

All specifications are subject to change without notice